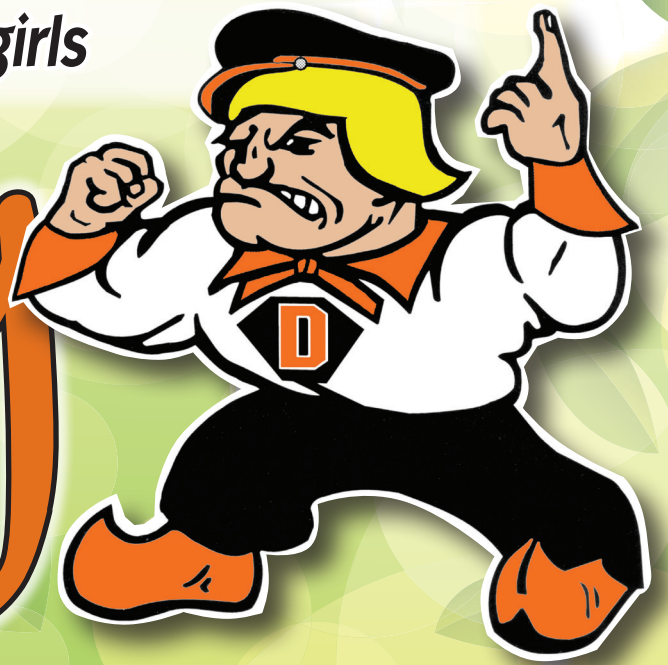


Good Luck Dutchmen and Dutchgirls



Spring DUTCHMEN

Sports Preview





OWENSVILLE DUTCHMEN baseball (above) has enough players to field not only a varsity and junior-varsity squad, but also a freshmen team with a dozen of them. Players suiting up Tyler Ahring's first season in order of their year in school beginning with the seniors include Alberto Del Pino Ortiz, Daxton Mehrhoff, Sebastian Dixon, Drew Baumbach and Brady Smith. Juniors on the team include Austin Gregory, Cody Linders, Trevor Abernathy, Javohntae Gates and Justin Gauer. Sophomores in their second season include Garret West, TC Fisher, Bryor Bogle, Tyler Heidbrink, Ethan Reed, Connor Lang and Colby Smith. Freshmen rounding out the 2019 Owensville Dutchmen baseball roster include Jon Saunsaucie, Eoin Krupp, Dezmyrn Moore, Dominic Grigaitis, Derek Brandt, Bailey Wehmeyer, Michael Steinbeck, Eli Wilson, Landon Valley, Logan Evans, Tyler Perkins and Hunter Engelbrecht.

**Good luck
Dutchmen
and Dutchgirls,
we're behind
you all
the way.**



308 W. Lincoln
Owensville, MO 65066

573-437-BANK



First State
Community Bank
Success Starts Here.

Talent & Teamwork

*Sports help children learn
the value of teamwork,
the importance of building
character and reaching
goals.*

*Good Luck Dutchmen and
Dutchgirls this spring!*

Gottenstroeter Funeral Home Inc.

Our family, serving your family, for over 100 years.

Owensville • 573-437-2155 Gerald • 573-764-3300

One final season on Memorial Field

BY WILL JOHNSON
SPORTS EDITOR

wjohnson@wardpub.com

Tyler Ahring's first season as Owensville Dutchmen head baseball coach will mark the final season of high school diamond action at Memorial Field.

Beginning with the 2019-20 school year, all Owensville High School softball and baseball home games will be played on the new field being constructed on the Gasconade County R-2 campus between the middle and high school buildings.

Eyeing their first district title since 1980 and first Four Rivers Conference (FRC) crown since 1973, Ahring's Dutchmen will have a mix of upper and underclassmen hungry to get the job done.

"I can't wait to see these guys play on the diamond," Ahring said. "We have a number of guys hungry for varsity playing time."

Among those returning for OHS include 2018 All-FRC second team selections

Trevor Abernathy, Javohntae Gates and Brady Smith all as utility picks.

Opening his senior season as the staff ace, Smith pitched a team-high 42 innings and recorded a team-leading 34 strikeouts last year during his junior season.

"We'll look to Brady (Smith) as our staff ace," Ahring said. "He'll be our go-to pitcher against the top teams we'll face."

At the plate, Smith tied for the team lead in doubles last year with five along with Colton Moore.

Pitching over 31 innings last year, Abernathy will also see time on the mound along with doing some catching and playing in the middle of the infield.

"Trevor will be a key player for us this spring being able to play multiple positions for us," Ahring said.

Abernathy recorded 25 hits and scored 19 runs last year to pace returning Dutch-

See **Season** on Page 4B



TC FISHER (above) watches a brown baseball into his glove before throwing it down to second base during a recent practice session last week after removing the tarp from Memorial Field.

Here's to an exciting spring for all the Dutchmen and Dutchgirls

RE/MAX
EXCLUSIVE PROPERTIES

1874 Hwy. 28 ~ Owensville, MO 65066
573-437-8500 ~ Member of St. Louis Multi-List

GOOD LUCK DUTCHMEN & DUTCHGIRLS

You've done the preparation...now it's time for the **REAL STUFF!**

Pro Player

INDOOR TRAINING FACILITY

- Baseball • Softball •

573-646-3001 • 907-398-2274
1399 June Drive • Bland, MO 65014 • BillSeamon18@gmail.com

Bill Seamon ~ Owner www.ProPlayerTraining.com

GOOD LUCK FOR A WINNING SEASON

2249 Nowack Road
Rosebud, MO 63091

John Blankenship
Excavating, LLC

home (573) 764-3068
cell (573) 259-6989

GOOD LUCK DUTCHMEN/DUTCHGIRLS

HAVENER'S
TERMITE & INSECT CONTROL INC.

Serving The Area Since 1959

Residential • Commercial • Termite Pre-Treatments

FREE INSPECTION Monthly or Yearly Maintenance

QUEEN KING WINGED ADULT WORKER SOLDIER

Your Local Pest Control Specialists

Owensville 573-437-2031 | Washington 636-239-2910 | Sullivan 573-860-2970

www.havenerstermite.com

Season • from page 3B

men baseball players.

Likely spending most of his time at first base this spring, Gates was one of Owensville's most productive batters at the plate and figures to be so again this season.

Last spring, Gates was one of four players to play all 20 games amassing a team-high 15 walks while leading the team in batting average (.389), on-base percentage (.529) and on-base plus slugging percentage (OPS) .954.

Along with Smith, four other Dutchmen baseball seniors donning the orange and black one last time include Alberto Del Pino Ortiz, Daxton Mehrhoff, Sebastian Dixon and Drew Baumbach.

Juniors making up the Dutchmen varsity roster along with Gates and Abernathy include Austin Gregory, Cody Linders and Justin Gauer.

Sophomores rounding out the varsity squad include Garret West, TCFisher, Bryor Bogle, Tyler Heidbrink and Ethan Reed.

Ahring's Dutchmen will compete in the MSHSAA Class 4, District 4 Baseball Tournament in mid-May at Union High School against the host Wildcats, Pacific, St. Clair, St. Francis Borgia and Sullivan.

Ahring's Dutchmen baseball team hopes to make many memories during their last season at Memorial Field.



Good Luck Dutchmen & Dutchgirls

Here's to a winning spring season!

White Mule
Winery and Bed & Breakfast

2087 Hwy. 50 - Owensville, MO - 573-764-4800

www.WhiteMuleBnB.com



Totally Tropical, LLC



GOOD LUCK
Dutchmen & Dutchgirls

212 South 1st Street • Owensville • 573-437-8266 (TANN)

GOOD LUCK

DUTCHMEN & DUTCHGIRLS



**OWENSVILLE VFW
BLEDSOE/BULAS POST
NO. 6133**

We're Proud to support the Dutchmen & Dutchgirls

The Insurance Center

Brian Rooney "Agent"
Steve Havelka "Agent"

"The Insurance Center"
112 N. Seventh St.
Owensville, MO 65066



Phone: 573-437-2100
Fax: 573-437-2110

e-mail: brooney01@hotmail.com

Dutchgirl soccer adds new opponents in 2019

BY WILL JOHNSON
SPORTS EDITOR
wjohanson@wardpub.com

In spite of losing eight seniors to graduation last spring, Jordan Palmer's Owensville Dutchgirl soccer team had 23 players come out for the team this season likely meaning full varsity and junior varsity soccer matches on the Dutchmen Field turf.

"It's nice to see our numbers increase after being down the past few years," Palmer said. "Having seven freshman come out will only make us better for the future."

Seniors playing in their final season of Dutchgirl soccer include Alexis Altemeyer, Carli McCurry, Heather Hoffman and Christyna Zheng.

As the team's starting varsity goal keeper, Altemeyer will be tested early and often against a schedule of solid opponents.

Owensville opens their season against a tough trio of Four Rivers Conference (FRC) opponents in St. Clair, Pacific and Union.

"We'll see what we need to work on after

opening our season against the three best teams in the (Four Rivers) conference," Palmer said.

Scoring 47 goals last season, junior Destinee Busenhart is recovering from an ankle injury sustained during basketball season.

"We hope to have Destinee (Busenhart) back on the field for the Union game," Palmer said.

Along with Busenhart, other Dutchgirl soccer juniors suiting up for Palmer and first-year assistant coach Amanda Parmalee include Marissa West-Derby, Madison Steever, Jazz Marquez, Emma Reed, Elena Ortega-Cano and Erika Lauer.

Sophomores that will be competing for playing time on the pitch include Lydia Weaver, Katelyn Landolt, Libby Korman, Kaitlyn Nelson and Luci Angell.

Seven freshman putting on a Dutchgirl soccer uniform for the first time this spring include Leah Reed, Cami Gray, Desiree

See **Soccer** on Page 6B



HEATHER HOFFMAN (above, left) dribbles the soccer ball while fending off teammate Christyna Zheng during a recent practice session that still had snow and ice on the Dutchmen Field turf.

SUPPORTING OUR SCHOOLS MAKES SENSE.

So does a portfolio in sync with your goals.

At Edward Jones, we spend time getting to know your goals so we can help you reach them. To learn why it makes sense to talk with Edward Jones about your savings and investing strategies, schedule a no-cost, no-obligation portfolio review.

Call or visit your local financial advisor today.



Jason R Crowe
Financial Advisor

202 S First Street
Owensville, MO 65066
573-437-3489

www.edwardjones.com Member SIPC

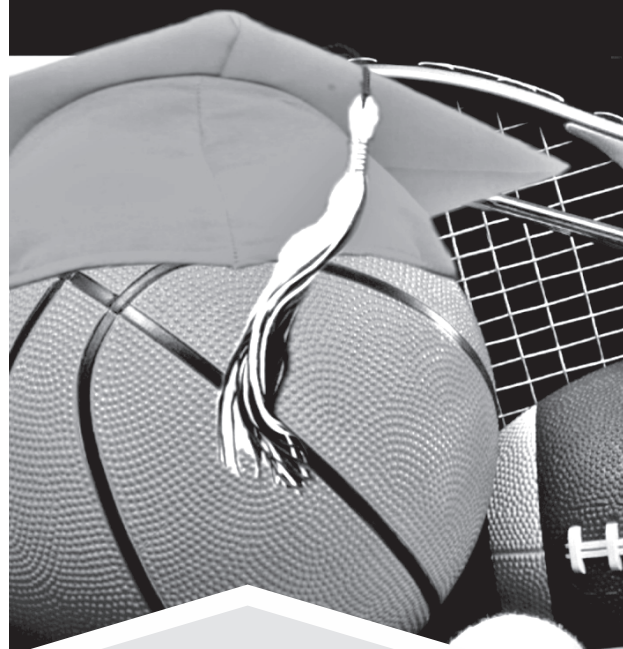
Edward Jones
MAKING SENSE OF INVESTING

Best of Luck for a Great Season

We provide sports specific training for athletes to enhance their skills and decrease the risk of injury.

- Athletes in Training
- Sports Specific Training
- Personal Training for individuals & groups
- Athletic Consults by Athletic Trainers to keep you in the game

Call **573-632-5634** to learn more.



Sam B. Cook
HEALTHPLEX
Capital Region Medical Center

Better. Every day.



www.crmc.org

Soccer • from page 5B

Binkhoelter, Nina Baker, Anna Finley, Jenna Armstrong and Kyah Tiefenbrunn.

Dropping out of the Washington Tournament in late April, Palmer's Dutchgirls will start their own tournament during the same time frame.

Coming to Dutchmen Field from April 22-27 will be Wright City's Lady Wildcats, St. James' Lady Tigers and Sullivan's Lady Eagles. Further information on this tournament will be in an upcoming edition of *The Republican*.

Splitting their first six matches with three home and three on the road, Owensville will play four of their first five matches in April at home.

Kicking off that stretch of four games in five days will be a Saturday, April 6 showdown with Fulton at 10 a.m.

That will be followed by three games in three days the following Monday against Sullivan, Tuesday against Laquey and Wednesday against previously mentioned Wright City.

Seeing Borgia moved up to Class 3, District 9, Owensville will compete in the MSHSAA Class 2, District 9 Tournament at Sullivan against the host Lady Eagles, St. James and St. Clair.



Good Luck
Dutchmen and Dutchgirls
Here's to a winning season!

JCFINLEYCOMPANYINC.
DISTRIBUTOR & FABRICATOR OF PLASTICS

404 East Industrial Drive ■ Gerald, MO

Wishing the Dutchmen & Dutchgirls Good Luck this Season

Tune Up Your Body For Better Health
WARREN CHIROPRACTIC

Painless Low Force Adjustments:

- Boosts immune system
- Alleviates pain
- Improves mobility

573-301-4379

Dr. Ken Warren

Your Community. Your School. Your Students.
Support them with
Mascot Checking

At no cost to you, MCB will donate \$1.00 per month per account to your local school district to support extracurricular activities

The Maries County Bank
Pride in our past... Investing in your future.

573-437-4444
804 West Highway 28
Owensville, MO 65066
www.mariescountybank.com

Member FDIC



OWENSVILLE DUTCHGIRL soccer (above) will enjoy increased numbers during the upcoming 2019 season enabling them to have more depth on their bench. Players on the team listed in order by class include seniors Carli McCurry, Heather Hoffman, Christyna Zheng and Alexis Altemeyer. Juniors making up the majority of the team include Marissa West-Derby, Madison Steever, Jazz Marquez, Destinee Busenhart, Emma Reed, Elena Ortega-Cano and Erika Lauer. Sophomores suiting up for OHS include Lydia Weaver, Katelyn Landolt, Libby Korman, Kaitlyn Nelson and Luci Angell. Freshmen in their first season include Leah Reed, Cami Gray, Desiree Binkhoelter, Nina Baker, Anna Finley, Jenna Armstrong and Kyah Tiefenbrunn.

You're all VIPs in our opinion!
Go Dutchmen & Dutchgirls

- Laser Engraving
- Gifts
- Plaques
- Medals
- Trophies

AWARDS for ALL STARS LLC
 OWENSVILLE, MISSOURI

Mary Lou Thomas • Susan Thomas 573-437-7788 or 573-437-2065

Proud to support our hometown teams!
Good Luck Dutchmen & Dutchgirls.

Jafiabow LLC
 1004 Industrial Drive
 Owensville, MO 65066

Be the **BEST** you can be.
GOOD LUCK DUTCHMEN & DUTCHGIRLS

GRAYSON AND GRAYSON, LLC
 WWW.GRAYSONLEGAL.COM

915 Southwest Blvd, Suite N
 Jefferson City, MO 65109
 Phone: 573.635.0308

102 W. Washington
 Owensville, MO 65066
 (by appointment only)

LISA J. DAWSON ADAM G. GRAYSON S. MATTHEW GRAYSON DANIEL P. FINDER

TRIAL LAWYERS 573.635.0308

"The choice of a lawyer is an important decision and should not be based solely upon advertisements."

OHS Track eyes more hardware in 2019

BY WILL JOHNSON
SPORTS EDITOR

wjohnson@wardpub.com

When you sweep (Four Rivers) conference titles in a sport, it tends to become popular in just about any school.

Owensville High School head track and field coach Matt Candrl has found this out going into this spring after his track teams swept the Four Rivers Conference (FRC) boys and girls titles last spring at New Haven.

It was the fifth straight title for the boys and the first-ever crown in the 30-year history of the Dutchgirl track program.

With several key athletes back on the girl's side, OHS will go for back-to-back FRC titles at Union High School in late April.

Helping provide leadership for the Dutchgirl track team will be seniors Mackenzie Armstrong, Megan Binkhoelter, Hayley Bogle, Veronica Courtoise, Caleigh Crofford, Abby Koepke, Liana Miller, Bailey Rasmussen, Jenelle Schlottach, Emma Skornia, Paige Tayloe and Wisdom Zumsteg.

Rasmussen is a returning FRC champion and All-District athlete in the discus.

Qualifying for state the last two seasons, Bailey is hoping the third time will be the charm over Memorial Day weekend in May.

Already a multiple All-State athlete in



See **Track** on Page 10B

GO DUTCHMEN & DUTCHGIRLS



www.adams-real-estate.com

John Adams, Broker
Makayla Adams, Sales Associate
Andy Adams, Sales Associate
Morgan Huebner, Sales Associate

Here's Hoping that the Dutchmen and Duthgirls "Clean up" with a winning Spring Sports Season.



Carpet Cleaning

Call for an appointment!

Randy McKinney
573.426.6465



Nearly 100 OHS athletes come out for track and field

Needing an entire section of bleachers for their team picture earlier this month, Matt Candrl's Owensville High School Dutchmen and Dutchgirl track team is made up of 44 girls and 45 boys. Team members (in alphabetical order) include Kate Angell, Mackenzie Armstrong, Sophia Ashner, Mercedes Baguio, Alyssa Belloir, Kyra Binkhoelter, Megan Binkhoelter, Hayley Bogle, Alexis Branson, Isabelle Bruckerhoff, Katie Candrl, Emily Copeland, Veronica Courtouise, Caleigh Crofford, Cierra Donatti, Carley Finn, Mekayla Gibson, Molli Gross, Grace Hale, Paige Heckelmann, Anna Heidbrink, Kyla Hendrix, Keira Hendrix, Arissa Huff, Kendra Hults, Jessica Johnson, Abby Koepke, Grace McFalls, Macy McKinney, Emily McKinney, Liana Miller, Linda Muschany, Alysah Pratt, Mackenzie Rademacher, Bailey Rasmussen, Haley Russell, Cadi Ruth, Jenelle Schlottach, Sydney Silvers, Emma Skornia, Anna Skornia, Paige Tayloe, Kylee Terrill, Emily Tiefenbrunn, Olivia Vandegriffe, Julianna Watkins, Alyssa Wehmeyer, Kyah Weirich, Alexis Wenkel, Addison Wright, Wisdom Zumsteg, Zach Adams, Sean Adkison, Jonah Adkison, Michael Adkison, Brandon Allen, Caden Baker, Joe Bauer, Bryce Blankenship, Jacob Breedlove, Chayse Doerr, Carson Donatti, Lucas Edwards, Brayden Edwards, Devon Farris, Dylan Fudge, Cason Gray, Jacob Hall, Tristan Heflin, Brent Helmig, Owen Holtzer, Joshua Jaycox, Wesley Kandlbinder, Alex Kellogg, Alan Kopp, Ashton Kramme, Christian Lowes, Michael Lowes, Jacob Luther, Michael Miles, Alex Mounce, Boyde Nicks, Cameron O'Neal, Alex Pack, Jarett Payne, Ethan Poertner, Justin Roethemeyer, Braedn Stone, Austin Terry, Ben Walter, Trenten Watkins, Reece Wehmeyer, Reagan Wehmeyer, Riley Wehmeyer, TJ Whelan, Treyden Williams, Bam Wizeman, Zac Wolfe and Freddy Zheng.

Here's to a sweet spring season for the Dutchmen and Dutchgirls

CONGRATULATIONS
& Best of Luck to Lucas and
Brayden Edwards



Simply Sweet LLC

114 North First Street **573-437-2888**
 Coffee ~ Cupcakes ~ Candies ~ Breakfast & Lunch Specials

Proud sponsor of Dutchmen and Dutchgirl Sports

LOST HILL INSULATION
Cellulose Contractor

573-646-3147 or 888-568-9747 (Toll Free)
 Ryan: 573-308-7410 Nick: 573-308-6874

Track • from page 9B

cross country and track, junior distance runner Sophia Ashner will look to add to her already crowded letter jacket.

Earning All-FRC honors in three events last year, Ashner was the FRC champion in the 1600-meter run and as a part of the Girl's 4x800-meter relay with teammates Kendra Hulst and Paige Heckelmann.

Also on that team last year was Alesha Shockley who has since moved into the Francis Howell Central school district.

Heckelmann also won the FRC title in the varsity girl's 3200-meter run along with placing fourth in the event to earn All-District honors.

Another key piece to the Dutchgirl track puzzle this year will be sophomore Katie Candl. She earned All-FRC honors as a freshman last year in the 100-meter dash, 100-meter hurdles and the 300-meter hurdles.

She also earned All-District accolades in the 100m dash, 100m hurdles and girl's pole vault.

Finishing in the top four at the sectional meet, she qualified for state in all three previously-mention events.



See **Track** on Page 11B

Good Luck Dutchmen & Dutchgirls



(573) 437-8002

Owensville, MO 65066
(573) 437-5451 Fax
lotsofcopies@yahoo.com

Custom Printing ~ Wide Format Color Prints & Copies ~ Forms
~ Business Cards ~ Envelopes

Dutchmen & Dutchgirls

...on track for another winning season



Good Luck!



FARMERS
INSURANCE

Tom Bloemke ~ Insurance and Financial Services Agent Kurtis Barch ~ Insurance Agent
216 E. Harrison Ave. • Owensville • 573.437.4291 • tbloemke@farmersagent.com

They **Work Hard.**
They **Play Hard.**

Let's hear it for the
Dutchmen and
Dutchgirls.



Sweet Caroline's



100 N. 7th St. | Owensville, MO | 573-437-7774 | sweetcarolines.org



**YOU HAVE
A LOT TO
SMILE
ABOUT!!**

Good Luck Dutchmen
and Dutchgirls.

Gerald Dental



FAMILY DENTISTRY

741 W. Springfield Road | Gerald, MO | 573-764-2425

Track • from page 10B

For the Dutchmen track team, it will take a complete team effort to earn their sixth straight FRC title in spite of the graduation of the vast majority of the team from last year.

This past fall, Sophomore Austin Terry helped the Dutchmen cross country team capture yet another FRC title in spite of not being the favorite on paper going into the meet.

That could be a scenario staring at Candrl's Dutchmen track squad this spring.

"Our cross country boys did what it took to keep the (Four Rivers) conference title streak going in spite of us losing the majority of our varsity runners to graduation last year," Candrl said.

Dutchmen seniors leading the way on their quest to a six-pack of FRC titles will include Chayse Doerr, Lucas Edwards, Devon Farris, Jacob Hall, Tristan Heflin, Jacob Luther, Alex Mounce, Jarett Payne, Ben Walter and Reece Wehmeyer.

Finishing third in the last year in the Class 3 Boys Pole Vault, Luther has the best shot coming into the season of extending Owensville's individual state championship streak in track dating back to 2015 when Devon Dowler fell across the finish line earning state gold in the 300-meter hurdles.

Finishing fifth at districts in the triple

jump at districts, Edwards will have that extra motivation in the back of his mind throughout the upcoming season.

Terry rounds out the list of returning Dutchmen track athletes that placed in the top five at districts with him taking fourth in the high jump.

Returning junior varsity FRC medalists looking to make an impact at the varsity level this spring include Jonah Adkison (4x100-meter relay), Michael Adkison (pole vault, 4x100m and 4x200-meter relay), Joe Bauer (discus), Cameron O'Neal (3200-meter run), TJ Whelan (pole vault) and Treyden Williams (4x400-meter relay).

Helping OHS Cross Country have a successful season this past fall, distance runners Devon Farris, Christian Lowes and O'Neal will look to keep improving their times in the 4x800-meter relay after placing third earning All-FRC JV honors in the event last year.

After the FRC meet in Union in late April, OHS will compete in the MSHSAA Class 3, District 5 track meet at Versailles High School against Buffalo, Cuba, Eldon, Houston, Liberty (Mountain View), Mountain Grove, Osage, Salem, St. James, Versailles and Willow Springs.



OLIVIA VANDEGRIFFE (above, right) gets help from OHS head track and field coach Matt Candrl in the javelin during a recent windy practice session at Dutchmen Field.

*We proudly support our hometown teams,
Good luck Dutchmen and Dutchgirls!*

Gerald Home Center LLC **Do it Best**
Everything in Building Materials

Milwaukee 388 W. Springfield • Gerald, MO
573-764-5000

MasterCard VISA American Express DISCOVER

KOEHN REALTORS

<http://www.KoehnRealtors.com>

**WE WISH ALL THE DUTCHMEN AND DUTCHGIRLS
GOOD LUCK THIS SEASON**

WB *Woody Bogler
Trucking Co.*

Rosebud, Mo.
800-899-4120

**Good Luck
Dutchmen &
Dutchgirls**

200 Canaan Rd. • PO Box 155 • Gerald, MO 63037
Office: 573-764-4500

Kelley Angell 314-623-2321	Polly Blankenship 573-291-4284	Stacey Busenhart 314-606-5585	Paula Helmig 573-259-2096	Robin Jahnsen 573-690-8162

2019 District R-II Spring Sports Schedule

HIGH SCHOOL BASEBALL

Date	Level	Opponent	Time
March 12	Varsity	Jamboree	TBA
★ March 15	Varsity	St. Clair	4:30 PM
March 19	Varsity	Rolla	4:30 PM
March 23	Varsity	FRC Finals	TBA
★ March 25	Varsity/J.V.	Salem	4:30 PM
★ March 26	Varsity/J.V.	Belle	4:30 PM
March 28	Varsity/J.V.	Newburg	4:30 PM
★ April 1	Varsity/J.V.	St. Clair	4:30 PM
★ April 4	Varsity/J.V.	St. James	4:30 PM
April 5-6	Jr. Varsity	Pacific Tournament	4:30 PM
April 11	Varsity/J.V.	New Haven	4:30 PM
April 12-13	Varsity	Linn Tournament	TBA
★ April 15	Varsity/J.V.	Pacific	4:30 PM
April 18	Varsity/J.V.	Sullivan	4:30 PM
April 19	Varsity/J.V.	Potosi	4:30 PM
April 22	9th Grade	St. Francis Borgia	4:30 PM
★ April 22	Varsity/J.V.	Vienna	4:30 PM
April 23	Varsity/J.V.	Union	4:30 PM
April 23	9th Grade	St. Clair	4:30 PM
★ April 25	Varsity/J.V.	Hermann	4:30 PM
April 30	9th Grade	Union	4:30 PM
★ May 2	Varsity/9th	Cuba	4:30 PM
★ May 3	Varsity/J.V.	Linn	4:30 PM
★ May 4	Jr. Varsity	Owensville Tournament	8:00 AM
May 6	Varsity/J.V.	Steelville	4:30 PM
May 9	Varsity/J.V.	Waynesville	4:30 PM
May 11-15	Varsity	Districts @ Union	TBA

HIGH SCHOOL GIRLS SOCCER

Date	Level	Opponent	Time
March 15	Varsity/J.V.	St. Clair	5:00 PM
★ March 18	Varsity/J.V.	Pacific	5:00 PM
★ March 21	Varsity/J.V.	Union	5:00 PM
March 25	Varsity/J.V.	Fatima	5:00 PM
★ March 26	Varsity/J.V.	Belle	5:00 PM
March 28	Varsity/J.V.	Dixon	5:00 PM
April 5	Varsity/J.V.	Waynesville	5:00 PM
★ April 6	Varsity/J.V.	Fulton	10:00 AM
★ April 8	Varsity/J.V.	Sullivan	5:00 PM
★ April 9	Varsity/J.V.	Laquey	5:00 PM
★ April 10	Varsity/J.V.	Wright City	5:00 PM
April 15	Varsity/J.V.	Battle	5:00 PM
April 18	Varsity/J.V.	St. James	5:00 PM
April 19	Varsity/J.V.	Belle	5:00 PM
★ April 22-27	Varsity	Owensville Tourn.	TBA
★ April 30	Varsity/J.V.	St. Clair	5:00 PM
★ May 6	Varsity/J.V.	St. James	5:00 PM
May 11-16	Varsity	Districts at Sullivan	TBA

HIGH SCHOOL TRACK

Date	Level	Opponent	Time
March 19	Varsity/J.V.	Montgomery County	4:00 PM
March 22	Varsity	Blair Oaks	TBA
March 26	Varsity/J.V.	Pacific	4:00 PM
★ April 2	Varsity/J.V.	Owensville Quad	4:30 PM
April 4	Varsity	Montgomery County Relays	3:00 PM
April 5	Varsity	Eureka HS	3:00 PM
April 9	Varsity	Union Relays	3:00 PM
★ April 12	Varsity	Owensville Relays	4:00 PM
April 17	Varsity	Washington Relays	3:00 PM
April 18	9-10	Sullivan Relays	4:15 PM
April 23	Varsity/J.V.	Hermann	TBA
April 25	9-10	St. Clair Relays	4:00 PM
April 29	Varsity/J.V.	FRC Meet @ Union	TBA
May 11	Varsity	Districts @ Versailles HS	TBA
May 18	Varsity	Sectionals @ Waynesville HS	TBA
May 24-25	Varsity	State @ Jefferson City HS	TBA

HIGH SCHOOL GOLF

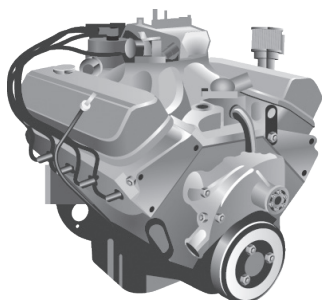
Date	Level	Opponent	Time
March 18	Varsity/J.V.	Belle/Cuba	4:00 PM
March 25	Varsity	Union Invitational	8:00 AM
March 27	Varsity/J.V.	St. Clair	TBA
April 3	Varsity/J.V.	Sullivan	4:00 PM
★ April 8	Varsity/J.V.	Hermann	4:00 PM
April 10	Varsity	St. James Tiger Classic	8:00 AM
April 12	Varsity	Sullivan Tournament	9:00 AM
April 15	Varsity	Helias	8:00 AM
★ April 17	Varsity/J.V.	Pacific	4:00 PM
April 23	Var./J.V.	FRC Tournament at Sullivan	8:00 AM
April 29	Varsity	Districts	8:00 AM
May 6	Varsity	Sectional	TBA
May 13-14	Varsity	State	TBA

MIDDLE SCHOOL TRACK

Date	Level	Opponent	Time
★ March 25	7th/8th	Owensville Quad	4:30 PM
April 5	7th/8th	Hermann Relays	4:00 PM
★ April 11	7th/8th	Owensville Relays	4:00 PM
April 16	7th/8th	Hermann Middle School	4:00 PM
April 18	7th/8th	Union Middle School	4:15 PM
April 25	7th/8th	Belle Invitational	3:30 PM
April 27	7th/8th	Pacific Relays	10:00 AM
April 29	7th/8th	Cuba Relays	3:30 PM
May 2	7th/8th	Union Relays	4:00 PM

We Proudly Support the Dutchmen and Dutchgirls

BEST OF LUCK TO EMMA AND ANNA SKORNIA



Joseph
Skornia's Auto Repair

Joseph and Teresa Skornia
DBA-Skornia's Auto Repair
4E 6th Street
Gerald, MO 63037
(6th Street And South Main)

(573)764-4487

WAY TO GO! Good Luck Dutchmen & Dutchgirls



INSURANCE COMPANIES, HOME OFFICES: BLOOMINGTON, ILLINOIS

DOUGLAS N. KNEHANS, Agent

105 E. Peters, P.O. Box 95
Owensville, MO 65066
Office: 573-437-2101
Fax: 573-437-7765
Home: 573-437-3842

49
YEARS
REPRESENTING
STATE FARM
INSURANCE

OHS golf has nine for 2019

BY WILL JOHNSON
SPORTS EDITOR

wjohnson@wardpub.com

Seeing his first year as Owensville High School head golf coach end after the district tournament, head coach Nathan Cabot is hoping that he'll be able to see at least one of his golfers advance to the sectional and state rounds of Missouri State High School Activities Association Class 3 golf.

"We have a young team that has a lot of potential," Cabot said. "Mother Nature has kept us off the course with the weather but we're doing what we can to make the best of the situation."

Looking to follow in his older brother's footsteps will be lone Dutchmen senior

See **Golf** on Page 14B



GOOD LUCK

*Dutchmen and Dutchgirls
we're cheering you on to
victory this spring!*

WINTER'S Home Furnishings

FROM FLOORING TO FURNITURE WE MAKE YOUR HOUSE A HOME
120 N. First Street • Owensville • 573-437-2126

We're your biggest cheerleaders



Best wishes for a successful season!



Good Luck On A Great Season

LYN-FLEX WEST

405 Red Oak Road
Owensville, Mo. 65066
573-437-4125
www.LynFlex.com

GET YOUR DUTCH ON!



Theresa Ditto, Agent
109 S 1st St
Owensville, MO 65066
Bus: (573) 437-3726
Access Anytime:
1-800-MYAMFAM
(800-692-6326)



Life insurance underwritten by American Family Life Insurance Company 6000 American Parkway Madison, WI 53783 014109 12/17 ©2017 - 7401103 Policy Form ICC17-228 WL, Policy Form L-228 (ND) WL, Policy Form L-228 WL

Golf • from page 13B

River West-Derby. River's brother Zane West-Derby was a multiple All-FRC and state-qualifying golfer.

Fellow OHS golfers hitting the links along with West-Derby include Gage Barnett, Camren Berkaw, Tanner Brown, Hunter Hutchison, Blaine Reed, Logan Tiefenbrunn, Elijah Waters and Alexis Snodgrass

River will be looking to help his Dutchmen teammates contend for a Four Rivers Conference (FRC) team title later in April during the annual conference tournament to be held at Sullivan Country Club on Tuesday, April 23.

Normally held on a Monday, the meet was moved due to a scheduling conflict.

Owensville Golf Course will play host to a pair of home meets on Monday, April 8 against Hermann and on Wednesday, April 17 against Pacific.

Six days after the FRC Tournament, Cabot's OHS varsity golfers will compete in the MSHSAA Class 3, District 3 Tournament hosted by St. Francis Borgia at Franklin County Country Club near Krakow.

Competing along with the host Knights and Dutchmen will be Pacific, Priory, Rolla, Salem, St. Clair, Sullivan, Union and Westminster Christian Academy.



OHS HEAD GOLF coach Nathan Cabot (above, far right) takes a swing during a modified practice session on the Owensville High School campus due to Owensville Golf Course being saturated from heavy rains.

Success Principles in Sports and Farming:
Rise Early • Work Hard • Never Give Up
 Good Luck Dutchmen and Dutchgirls

Est. 1863

RADEMACHER DAIRY

Home of "MilkN4U"

Registered Holsteins

573-437-6565



Best Wishes for
 a Winning Spring
 Sports Season!

It's time to
 expect more.



REGIONS

Member FDIC

OWENSVILLE, MO | 573-437-2128

Game On!

As we slide into a new season,
 we'd like to wish the Dutchmen
 and Dutchgirls the best of luck.
 We hope it's a winning season!

JETT TRENCHING L.L.C.

Trenching & Small Backhoe Jobs

Electric, Water,
 Sewer, Etc.

Home (573) 437-3266
 Cell (573) 368-8336

Kenny Jett
 2064 Krausetown Rd.
 Owensville, MO 65066

Good Luck on Your 2019 Season
 Dutchmen & Dutchgirls
YOU'VE GOT THIS!!

Panda Cafe

CHINESE STYLE • Open 7 Days A Week
 Eat in Take Out & Buffet



501 WEST HWY. 28 • OWENSVILLE, MO • 573-437-4500



We're happy to cheer on the Dutchmen and Dutchgirls, Good Luck this spring!



pepsi
new haven, mo

Pesi-Cola Bottling Co. of New Haven
Serving Quality Beverages Since 1937

"If you can believe it, the mind can achieve it." - Ronnie Lott



Good Luck Dutchmen & Dutchgirls.

We wish you all the best of luck!

from your friends at...



NEWLY WEDS[®] FOODS
inspiring new tastes



Let's hit this season out of the park!
Good Luck Dutchmen & Dutchgirls

Sales and Service
MACIEJEWSKI Plumbing & Heating INC.



P.O. BOX 559, 610 E. HWY. 28
OWENSVILLE, MO 65066

PHONE: **573-437-3214**
FAX: 573-437-7214

Plumbing Heating Air Conditioning

THANK YOU

FOR THE

**THRILLS, CHILLS,
NAILBITTERS &
BLOWOUTS!**

**We're Rooting
You On.**

**GOOD LUCK THIS
SEASON!**



LEGENDS

BANK

MEMBER FDIC

602 East Hwy. 28 Owensville, MO
573-437-LOAN (5626)

legendsbk.com



LINN • EAST LINN • BELLE • JEFERSON CITY • LOOSE CREEK • OWENSVILLE • WESTPHALIA • ROLLA • TAOS • UNION